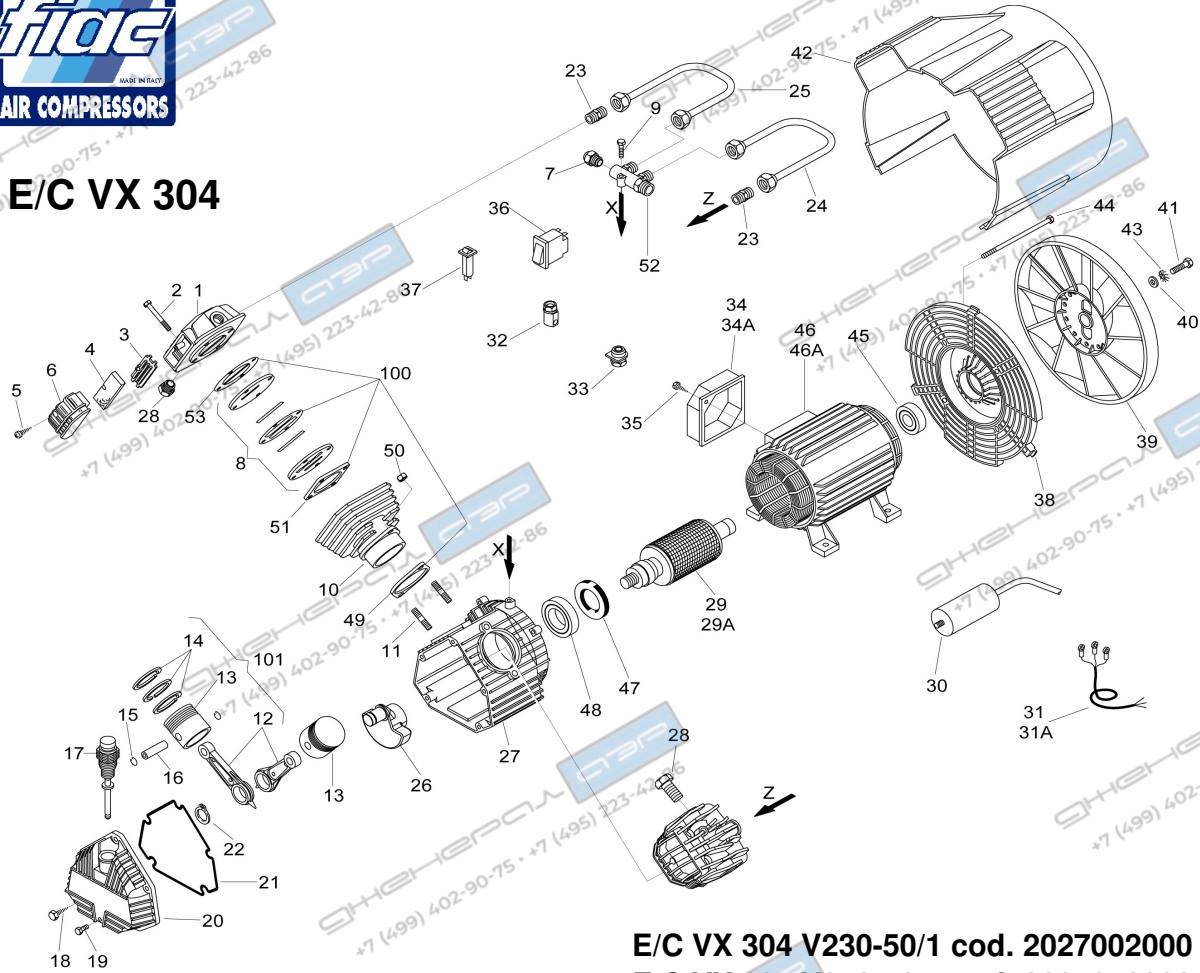




E/C VX 304



E/C VX 304 V230-50/1 cod. 2027002000
E/C VX 304 V240-50/1 cod. 2027012000
E/C VX 304 V400-50/3 cod. 2027022000

IN VIGOUR FROM 05/12/05 - IN VIGORE DAL 05/12/05 (REV-02)

REF. RIF.	CODE CODICE	QT	DESCRIPTION DESCRIZIONE	REF. RIF.	CODE CODICE	QT	DESCRIPTION DESCRIZIONE
1	5030250008	2	Head Testa	38	7640010000	1	Cover Calotta
2	7011220000	8	Screw Vite T.E. M6x40 UNI 5737	39	7200340000	1	Fan Ventola
3	7458340000	2	Filter plate Piastrina filtro	40	7038020000	1	Washer Rondella
4	7210010000	2	Filtering element Elemento filtrante	41	7011090000	1	Screw Vite T.E. M8x20 UNI5739
5	7012010000	2	Screw Vite ø 3.9x19 "B" UNI 6954	42	7150370000	1	Housing Carenatura
6	7210180000	2	Intake filter Filtro aspirazione	43	7031010000	1	Washer Rondella ø 8 UNI 3703
7	7196000000	1	START valve Valvola START	44	7015100000	4	Tension rod Tirante
8	7459490000	2	Valve plate Piastra valvole	45	7060030000	1	Bearing Cuscinetto 6204 2RS
9	7010120000	1	Screw Vite T.C.C.E. M6x25 UNI5931	46	4011450000	1	Motor Motore V230 / V240 50/1
10	5060160008	2	Cylinder Cilindro	46A	4011340000	1	Motor Motore V400 50/3
11	7015020000	4	Stud bolt Prigioniero	47	7071160000	1	SMIM ring Anello SMIM 4062/10
12	5050160008	2	Con rod Biella	48	7060070000	1	Bearing Cuscinetto 6007
13	7220050000	2	Piston Pistone	49	7078150000	2	Gasket/cylinder crar Guarnizione cilindro carter
14	4080030000	2	Piston rings Kit segmenti	50	7020070000	4	Nut Dado M8 UNI 5587
15	7041030000	4	Ring Anello	51	7078160000	2	Gasket/cylinder valv Guarnizione cilindro/piastra v.
16	7050030000	2	Piston pin Spinotto	52	7089950000	1	Manifold Collettore
17	7181060000	1	Oil level Asta livello olio	53	7078580000	2	Gasket head/valve p Guarnizione testa/piastra val.
18	7012180000	5	Screw Vite T.E. M6x20 TAP TITE				
19	7011460000	1	Screw Vite T.E. M6x15 TAP TITE	100	4082080000	2	Set of gasket Kit guarnizioni
20	7650010000	1	Carter cover Coperchio carter	101	4191040000	2	Set Con rod/Piston Kit Biella/Pistone
21	7078440000	1	Gasket Guarnizione				
22	7040040000	1	Seeger Seeger E20 UNI 7435				
23	7081100000	2	Joint Raccordo				
24	7237010000	1	Tube dx. Tubo dx.				
25	7237020000	1	Tube dx. Tubo sx.				
26	5041390008	1	Counter weight Manovella				
27	5070180008	1	Carter Carter				
28	7090080000	2	Plug Tappo				
29	4280860000	1	Single phase rotor Indotto monofase				
29A	4280790000	1	Three phase rotor Indotto trifase				
30	7310410000	1	Capacitor Condensatore 50 µF				
31	7329900000	1	Single phase cable Cavo monofase				
31A	7329870000	1	Three phase cable Cavo trifase				
32	7501050000	1	Stretch eliminator Bloccacavo steab				
33	7501060000	1	Stretch eliminator Bloccacavo				
34	7382340000	1	Single phase cover Coperchio monofase				
34A	7382350000	1	Three phase cover Coperchio trifase				
35	7012020000	2	Screw Vite ø 3.9x12.7 UNI 6954				
36	7410530000	1	3ph. thermal protect Termica trifase 8 AMP				
37	7410390000	1	1ph. thermal protect Termica monofase 15 AMP				