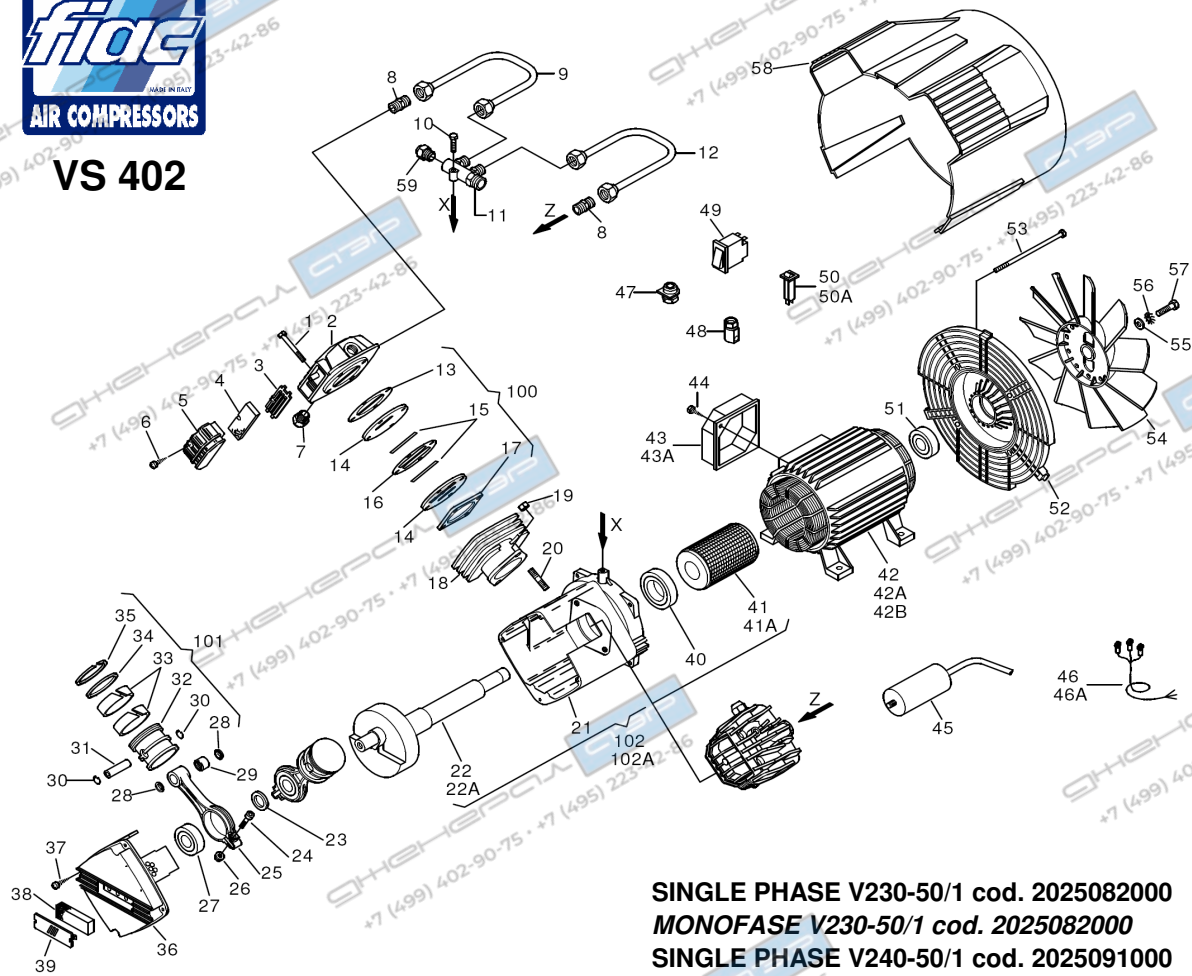




VS 402



SINGLE PHASE V230-50/1 cod. 2025082000
MONOFASE V230-50/1 cod. 2025082000
SINGLE PHASE V240-50/1 cod. 2025091000
MONOFASE V240-50/1 cod. 2025091000
THREE PHASE V400-50/3 cod. 2025101000
TRIFASE V400-50/3 cod. 2025101000

IN VIGOUR FROM 30/11/07 - IN VIGORE DAL 30/11/07 (REV-01)

| REF. RIF. | CODE CODICE | QT | DESCRIPTION DESCRIZIONE | REF. RIF. | CODE CODICE | QT | DESCRIPTION DESCRIZIONE |
|-----------|-------------|----|--|-----------|-------------|----|--|
| 1 | 7011220000 | 8 | Screw - Vite T.E. M6x40 UNI 5737 | 39 | 7151040000 | 1 | Filter cover - Coperchio filtro |
| 2 | 5030100008 | 2 | Head - Testa | 40 | 7060050000 | 1 | Bearing - Cuscinetto |
| 3 | 7458340000 | 2 | Filter plate - Piastrina filtro | 41 | 5090230008 | 1 | Single phase rotor - Rotore monofase |
| 4 | 7210010000 | 2 | Filtering element - Elemento filtrante | 41A | 5090260008 | 1 | Three phase rotor - Rotore trifase |
| 5 | 7210430000 | 2 | Intake filter - Filtro aspirazione | 42 | 4012440000 | 1 | Motor - Motore V230-50/1 |
| 6 | 7012100000 | 2 | Screw - Vite ø 3.9x16 B UNI 6954 | 42A | 4011420000 | 1 | Motor - Motore V240-50/1 |
| 7 | 7090200000 | 2 | Plug - Tappo | 42B | 4011030000 | 1 | Motor - Motore V400-50/3 |
| 8 | 7081100000 | 2 | Joint - Raccordo | 43 | 7382340000 | 1 | Single phase cover - Coperchio monofase |
| 9 | 7237160000 | 1 | Tube sx. - Tubo sx. | 43A | 7382350000 | 1 | Three phase cover - Coperchio trifase |
| 10 | 7010120000 | 1 | Screw - Vite T.C.C.E. M6x25 UNI 5931 | 44 | 7012020000 | 2 | Screw - Vite ø 3.9x12.7 UNI 6954 |
| 11 | 7089950000 | 1 | Manifold - Collettore | 45 | 7310530000 | 1 | Capacitor - Condensatore 60 µF |
| 12 | 7237170000 | 1 | Tube dx. - Tubo dx. | 46 | 7329900000 | 1 | Single phase cable - Cavo monofase |
| 13 | | | | 46A | 7329870000 | 1 | Three phase cable - Cavo trifase |
| 16-17 | 4082090000 | 2 | Set of gasket - Kit guarnizioni | 47 | 7501060000 | 1 | Stretch eliminator - Bloccacavo |
| 14 | 7459510000 | 4 | Valve plate - Piastra portavalvole | 48 | 7501050000 | 1 | Stretch eliminator - Bloccacavo steab |
| 15 | 4081030000 | 1 | Set of valve - Kit valvole | 49 | 7410460000 | 1 | 3ph. thermal protection - Termica trifase |
| 18 | 7575030000 | 2 | Cylinder - Cilindro | 50 | 7410360000 | 1 | 1ph. thermal protection - Termica monofase V240/50Hz |
| 19 | 7020070000 | 4 | Nut - Dado M8 UNI 5587 | 50A | 7410480000 | 1 | 1ph. thermal protection - Termica monofase V230/50Hz |
| 20 | 7015020000 | 4 | Stud bolt - Prigioniero | 51 | 7060090000 | 1 | Bearing - Cuscinetto |
| 21 | 5070210008 | 1 | Carter - Carter | 52 | 7640010000 | 1 | Cover - Calotta |
| 22 | 5040580008 | 1 | Single phase shaft - Albero monofase | 53 | 7015100000 | 4 | Tension rod - Tirante |
| 22A | 5040360008 | 1 | Three phase shaft - Albero trifase | 54 | 7200020000 | 1 | Fan - Ventola |
| 23 | 7038070000 | 1 | Ring - Anello | 55 | 7038020000 | 1 | Washer - Rondella ø 8x30x3 |
| 24 | | | | 56 | 7031010000 | 1 | Washer - Rondella ø 8 UNI 3703 |
| 25-26 | 4190320000 | 1 | Con rod unit - Gruppo biella | 57 | 7011090000 | 1 | Screw - Vite T.E. M8x20 UNI 5739 |
| 28-29 | | | | 58 | 7150370000 | 1 | Housing - Carenatura |
| 27 | 7060140000 | 2 | Bearing - Cuscinetto | 59 | 7196020000 | 1 | START valve - Valvola START |
| 30 | 7041010000 | 2 | Ring - Anello | | | | |
| 31 | 7050050000 | 1 | Piston pin - Spinotto | 100 | 4082640000 | 1 | Set Plates/Valves - Kit Piastre/Valvole |
| 32 | 7220070000 | 1 | Piston - Pistone | 101 | 4191011000 | 1 | Set Con rod/Piston - Kit Biella/Pistone |
| 33 | | | | 102 | 4280220000 | 1 | Carter/Single phase Shaft unit - Gruppo Carter/Albero monofase |
| 34-35 | 4080040000 | 1 | Piston rings - Kit segmenti | 102A | 4280230000 | 1 | Carter/Three phase Shaft unit - Gruppo Carter/Albero trifase |
| 36 | 5081000008 | 1 | Carter cover - Coperchio carter | | | | |
| 37 | 7012020000 | 6 | Screw - Vite ø 3.9x12.7 UNI 6954 | | | | |
| 38 | 7210120000 | 1 | Filtering element - Elemento filtrante | | | | |