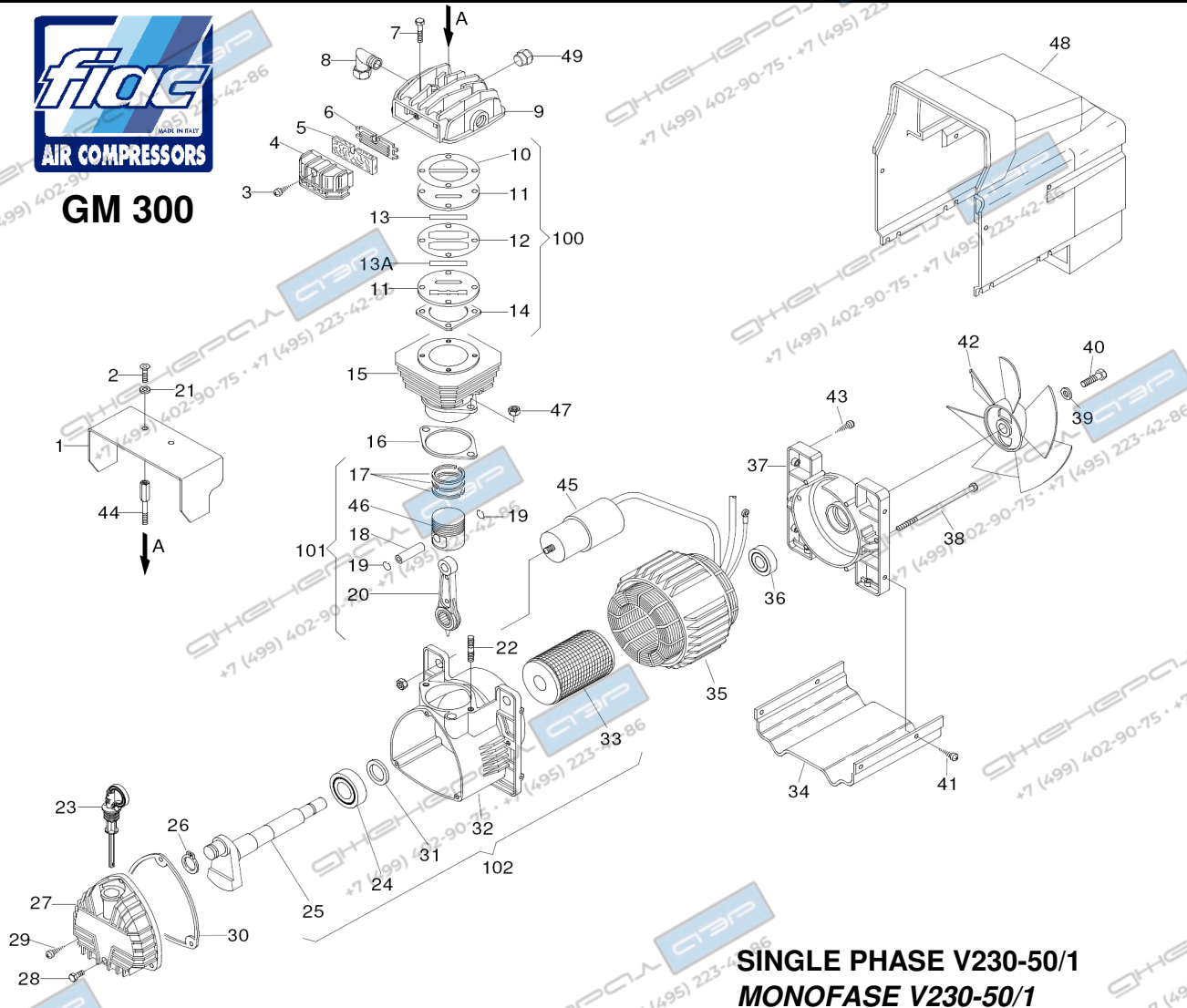




GM 300



SINGLE PHASE V230-50/1 MONOFASE V230-50/1

VALID FROM 10/03/2008 - VALIDO DAL 10/03/2008 (REV-01)

| REF. RIF. | CODE CODICE | QT | DESCRIPTION DESCRIZIONE | REF. RIF. | CODE CODICE | QT | DESCRIPTION DESCRIZIONE |
|-----------|-------------|----|---------------------------------------|-----------|-------------|----|---|
| 1 | 5165000008 | 1 | Conveyor Convogliatore | 37 | 5110061008 | 1 | Cover Calotta |
| 2 | 7012740000 | 2 | Screw Vite TS 6x20 TRILOBATA | 38 | 7015130000 | 2 | Tension rod Tirante |
| 3 | 7012010000 | 1 | Screw Vite 3,9x19 | 39 | 7038020000 | 1 | Washer Rondella |
| 4 | 7210430000 | 1 | Filter cover Coperchio filtro | 40 | 7011090000 | 1 | Screw Vite M8x20 UNI 5739 |
| 5 | 7210010000 | 1 | Filtering element Elemento filtrante | 41 | 7012290000 | 4 | Screw Vite |
| 6 | 7458340000 | 1 | Filter plate Piastrina filtro | 42 | 7200060000 | 1 | Fan Ventola |
| 7 | 7011290000 | 4 | Screw Vite | 43 | 7013060000 | 1 | Screw Vite TC 4x8 CROS TRIL. |
| 8 | 7084190000 | 1 | Joint Raccordo | 44 | 7015390000 | 2 | Pin Perno |
| 9 | 7570090000 | 1 | Head Testa | 45 | 7310550000 | 1 | Capacitor Condensatore 60µF |
| 10-12 | 4082940000 | 1 | Set of gaskets Kit guarnizioni | 46 | 7220050000 | 1 | Piston Pistone |
| 14-16 | | | | 47 | 7020070000 | 1 | Nut Dado M8 UNI 5587 |
| 11 | 7458370000 | 1 | Outlet valve plate Piastra valvole | 48 | 7150361000 | 1 | Housing Carenatura |
| 13 | 4081040000 | 1 | Set of valves Kit valvole | 49 | 7196220000 | 1 | Start valve Valvola START |
| 13A | 4081030000 | 1 | Set of valves Kit valvole | 100 | 4082810000 | 1 | Set valves plates Kit piastre valvole |
| 15 | 5060160008 | 1 | Cylinder Cilindro | 101 | 4191040000 | 1 | Set Con rod/Piston Kit Biella/Pistone |
| 17 | 4080240000 | 1 | Piston rings Kit segmenti | 102 | 4280680000 | 1 | Carter/Shaft/Single phase Rotor unit Gruppo Carter/Albero/Rotore monofase |
| 18 | 7050030000 | 1 | Piston pin Spinotto | | | | |
| 19 | 7041030000 | 2 | Ring Anello | | | | |
| 20 | 5050160008 | 1 | Con rod Biella | | | | |
| 21 | 7030320000 | 2 | Washer Rondella D.6 | | | | |
| 22 | 7015020000 | 2 | Stud bolt Prigioniero | | | | |
| 23 | 7181160000 | 1 | Oil level Asta livello olio | | | | |
| 24 | 7060060000 | 1 | Bearing Cuscinetto | | | | |
| 25 | 5041190008 | 1 | Crankshaft Albero a gomito | | | | |
| 26 | 7040040000 | 1 | Seeger Seeger | | | | |
| 27 | 7650020000 | 1 | Carter cover Coperchio carter | | | | |
| 28 | 7011430000 | 1 | Screw Vite | | | | |
| 29 | 7012100000 | 3 | Screw Vite | | | | |
| 30 | 7078460000 | 1 | Gasket Guarnizione | | | | |
| 31 | 7071020000 | 1 | Smim ring Anello smim | | | | |
| 32 | 5070320000 | 1 | Carter Carter | | | | |
| 33 | 5090370008 | 1 | Rotor Rotore V230-50/1 | | | | |
| 34 | 7170660000 | 1 | Base Base | | | | |
| 35 | 4012930000 | 1 | Motor casing Carcasa motore V230-50/1 | | | | |
| 36 | 7060010000 | 1 | Bearing Cuscinetto | | | | |